



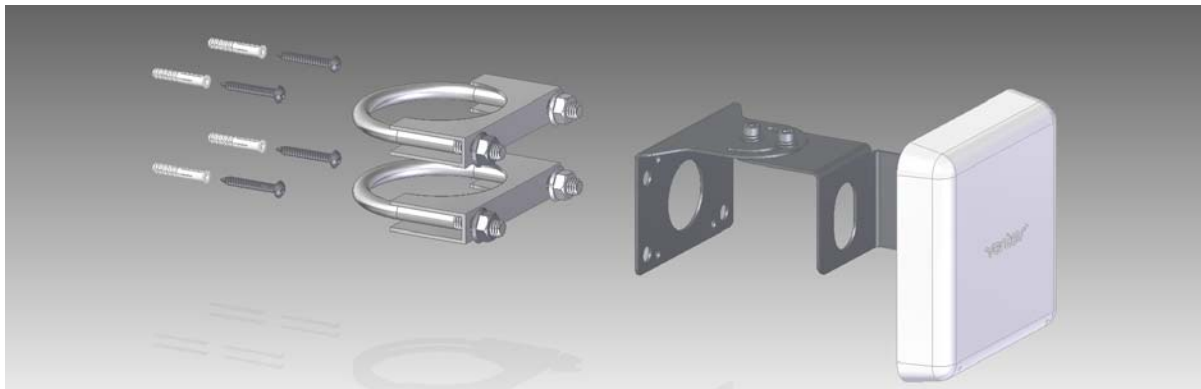
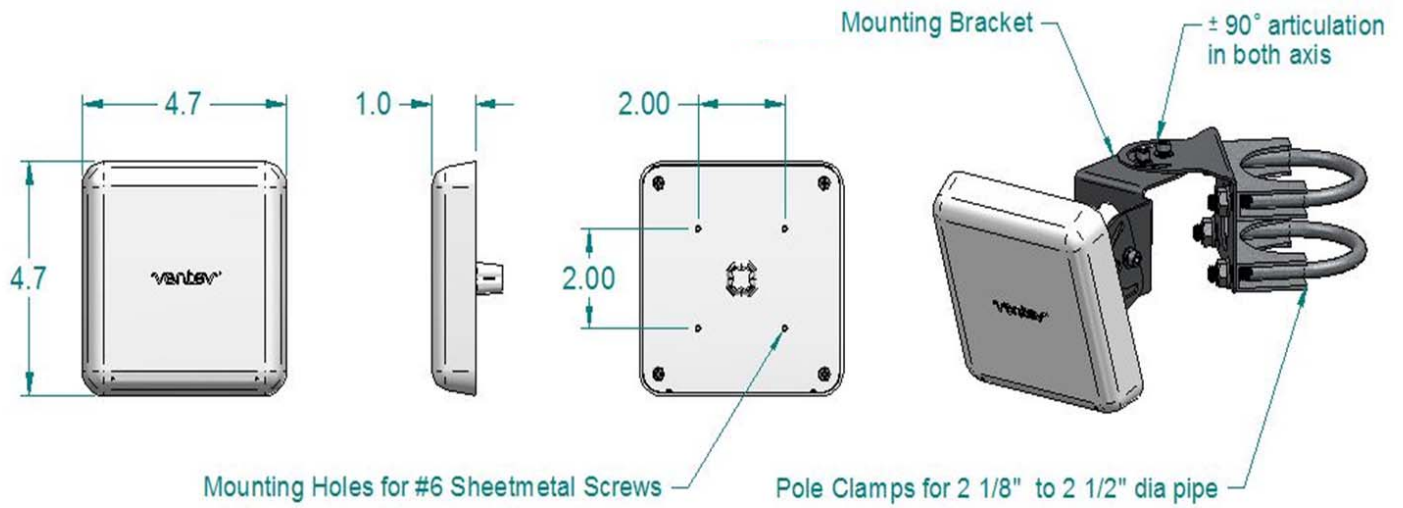
2.4/5 GHz 6 dBi Small Form Factor Micro Patch Antenna with 4 Dual Band Leads, N Plug Connectors and Articulating Mount

Ventev's Small Form Factor Micro Patch Antenna with Medium Strength Articulating Mount offers outstanding Wi-Fi performance in a small package with a rugged mounting solution. The antenna and mount combination are designed for use indoors or outdoors and are compatible with Cisco 1570 and IW3700, Aerohive 1139, and Meraki MR66 and MR72 access points. The mount articulates horizontally and vertically for a variety of mounting positions and can be installed on poles or walls. *Every TerraWave antenna is covered by the company's two-year TerraNet warranty program. For questions and to purchase product, contact a regional sales executive at 800-851-4965 or sales@terrawave.com.*

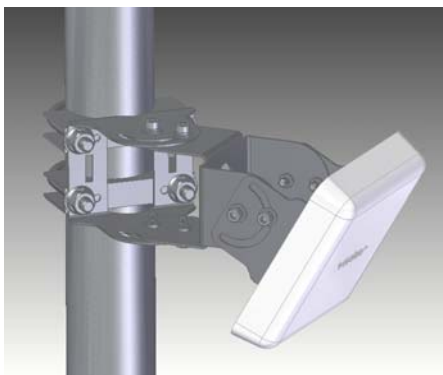


Specifications	
Model	M6060060D3D3602TM
Antenna	
Frequency Range	2400~2500 / 4900~5900 MHz
Gain	6 dBi
Bandwidth	100 / 985 MHz
VSWR	2:1 Nominal / 2:1 Nominal
Polarization	2 x Horizontal, 2 x Vertical
Front-to-Back Ratio	9 dBi / 15 dBi
Impedance	50 Ohms
Horizontal Beamwidth	80° + - 10°
Vertical Beamwidth	90° + - 10°
Power	20 W
Connector	4 x N Plug with 3' Pigtails
Mounting Options	Ceiling / Pole / Wall Mount
Application Environment	IP54
Dimensions	4.7" x 4.7" x 1.0"
Construction	UV Resistant PC
Color	White
Mount	
Dimensions	6" (L) x 3" (W) x 3"(H)
Weight	0.5 lbs
Material	Zinc-Plated Steel
Operating Temperature Range	-40°F x +158°F
Mounting Style	Pole or Wall Mount
Mast Diameter	2.125 to 2.5
Maximum Load	25 lbs.
Wind Speed Range	< = 100

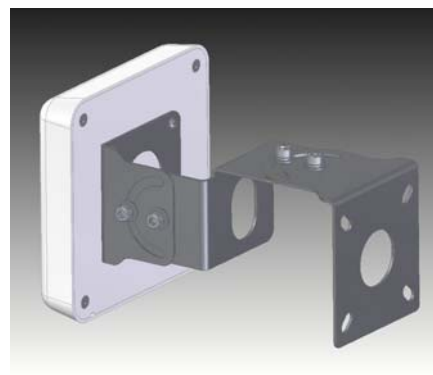
2.4/5 GHz 6 dBi Small Form Factor Micro Patch Antenna with 4 Dual Band Leads, N Plug Connectors and Articulating Mount



Mounting Options



Mast Mount



Wall Mount

2.4/5 GHz 6 dBi Small Form Factor Micro Patch Antenna with 4 Dual Band Leads, N Plug Connectors and Articulating Mount

